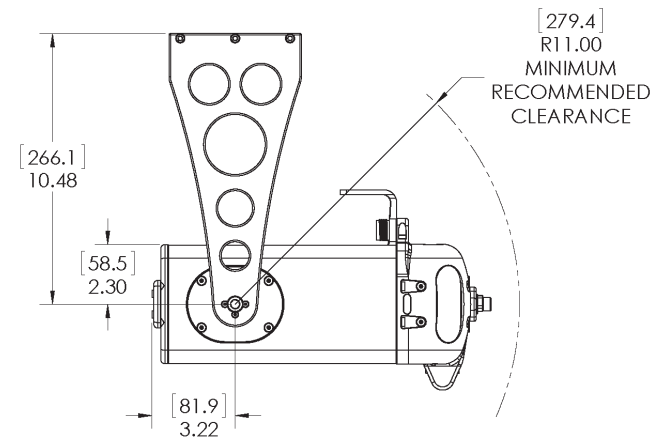
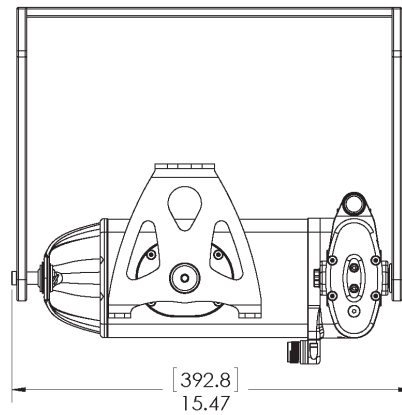
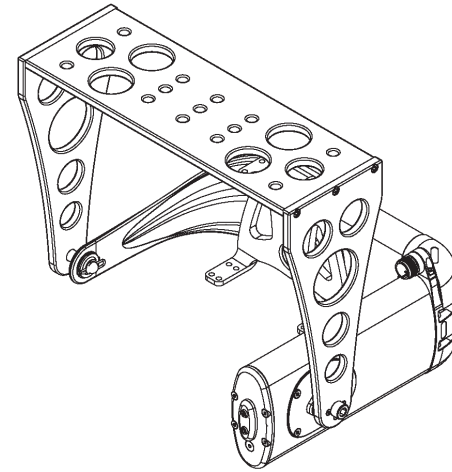
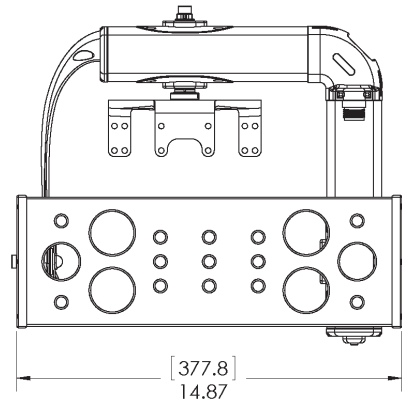


DIMENSIONS

TILT/ROLL MOUNTING

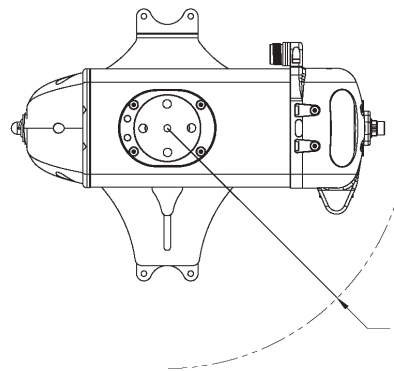
[mm]
inch



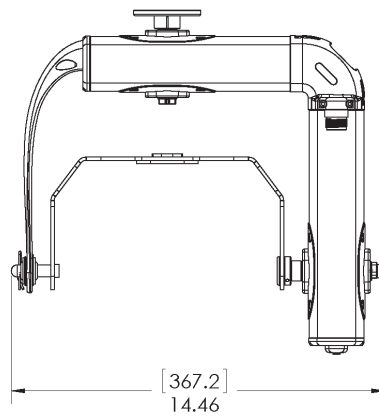
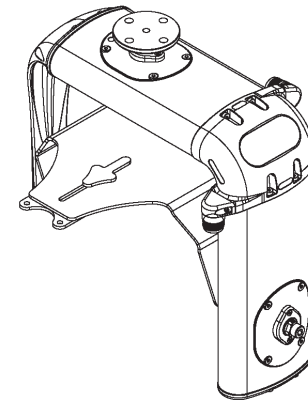
DIMENSIONS

PAN/TILT MOUNTING

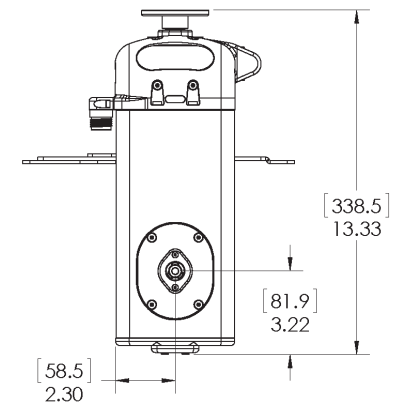
[mm]
inch



[236.2]
R9.30
MINIMUM
RECOMMENDED
CLEARANCE



[367.2]
14.46



[338.5]
13.33

[81.9]
3.22

[58.5]
2.30

DIMENSIONS

PAN/TILT MOUNT

[mm]
inch

