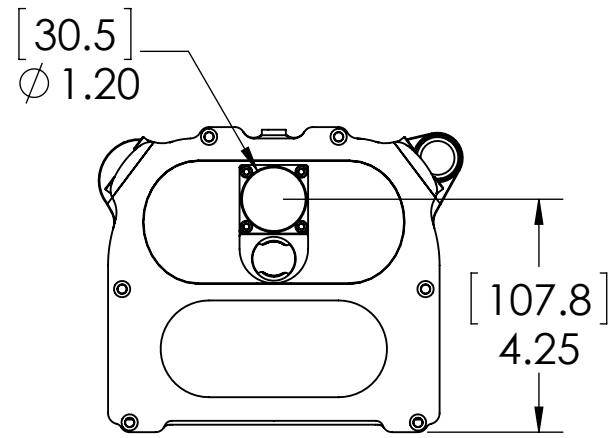
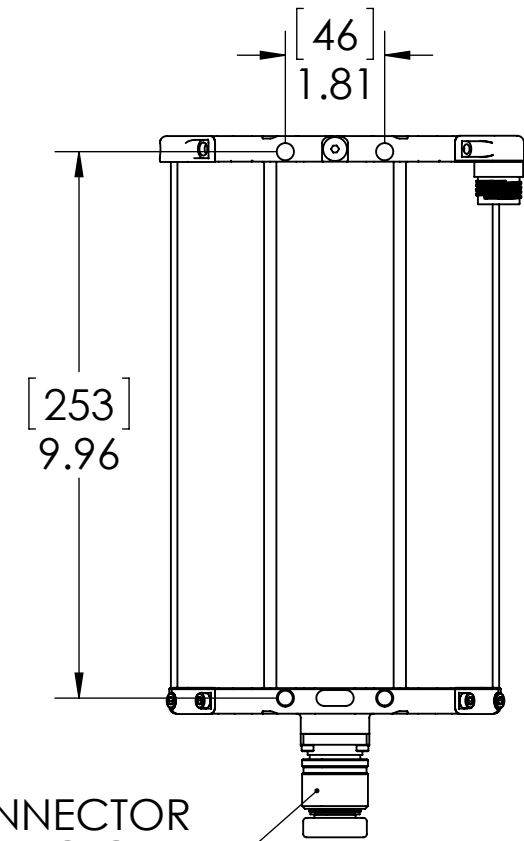
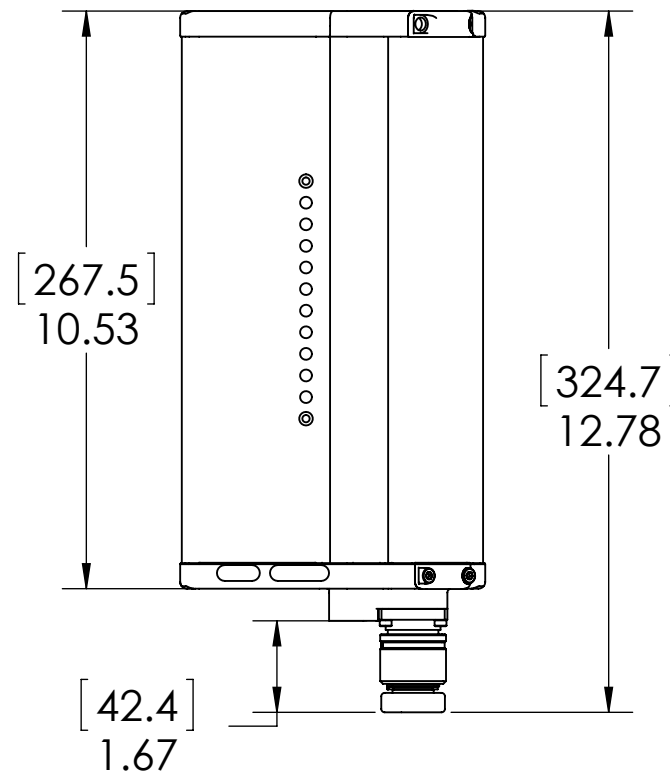
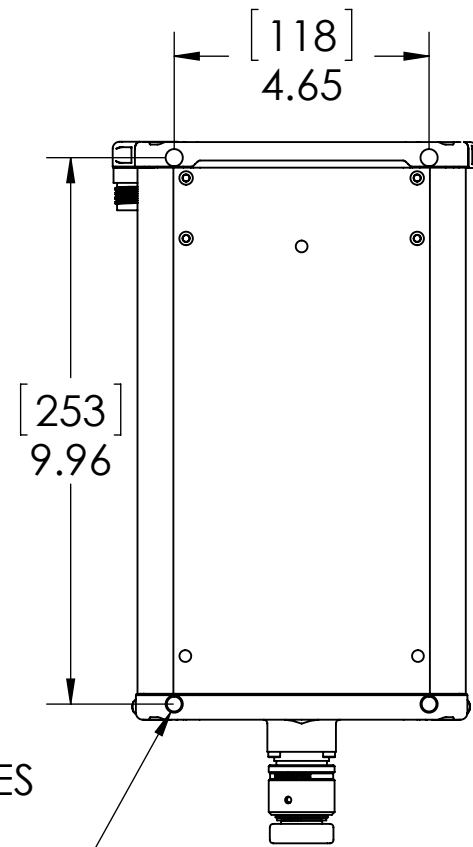
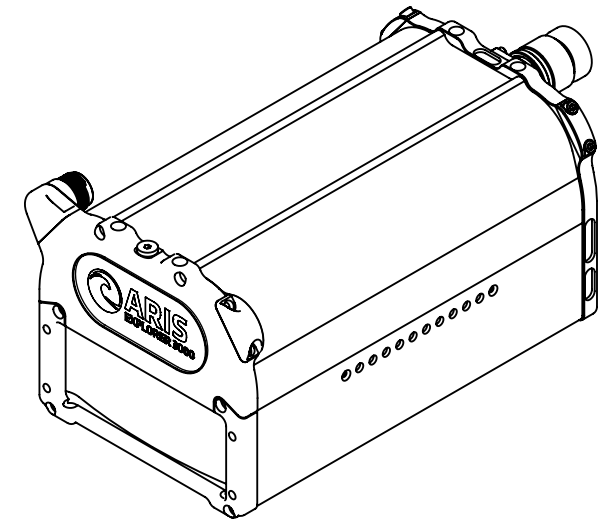


FRONT VIEW




BACK VIEW



ALL MOUNTING HOLES
M5 x .8 ∇ 8mm
8 PLACES

REAR CONNECTOR
WITH SEALING CAP

UNLESS OTHERWISE SPECIFIED		ENGINEER	JB	 SOUND METRICS CORP <small>SEE WHAT OTHERS CAN'T</small>	
<ul style="list-style-type: none"> • ALL DIMENSIONS ARE IN INCHES [mm]. • SURFACE FINISH BEFORE PROTECTIVE COATING 125/ • EDGES R.015 MAX. • REMOVE ALL BURRS, BREAK SHARP EDGES • DO NOT COMPENSATE FOR FINISH 	<p>TOLERANCES ON:</p> <p>HOLE DIAMETERS ±.003 .XX ±.015 .XXX ±.005</p> <p>ANGLES ±1°</p>	DRAWN		<p>ARIS DEFENDER MOUNTING</p>	
		PLOT DATE: 6/20/2016			
		WEIGHT: gm			
		VOLUME: rev cc			
MATERIAL	PROTECTIVE COATING			SIZE	REF PART NUMBER
INFORMATION ON THIS DRAWING IS THE SOLE PROPERTY OF THE SOUND METRICS CORP. ANY REPRODUCTION IN PART OR WHOLE WITHOUT WRITTEN PERMISSION IS PROHIBITED.				B	
DO NOT SCALE THIS DRAWING				DRAWING NO.	REV
					SHEET 1 OF 1