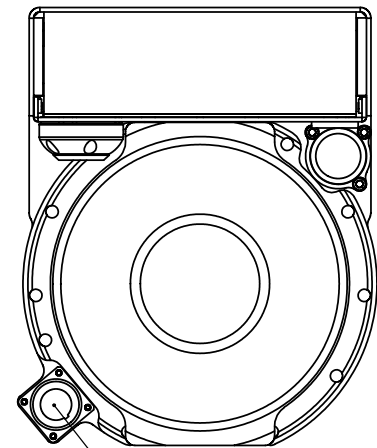
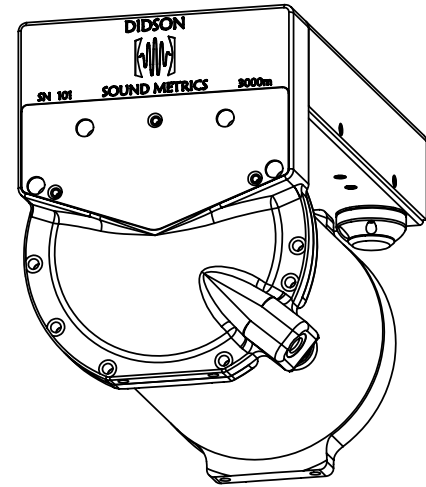
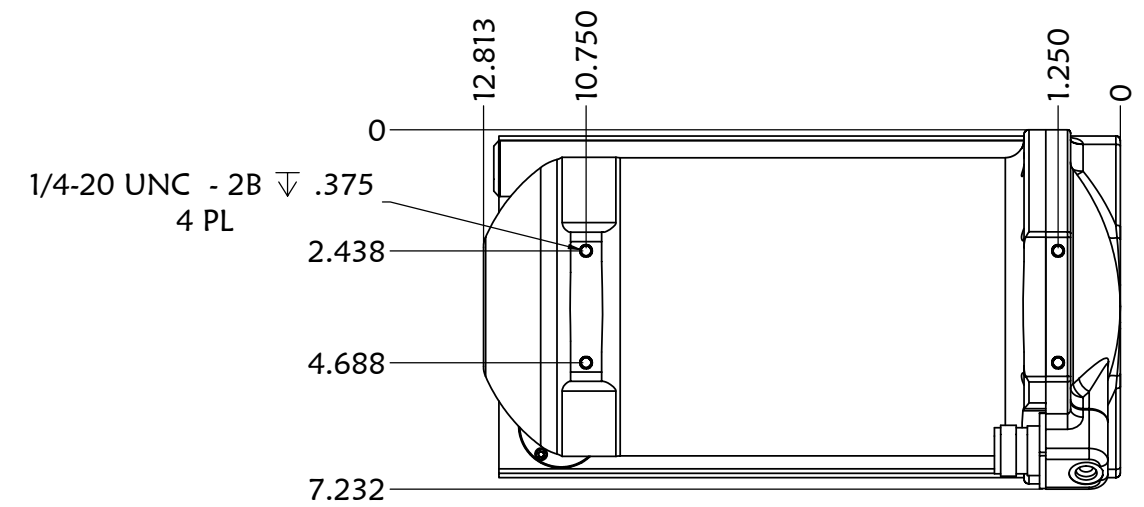
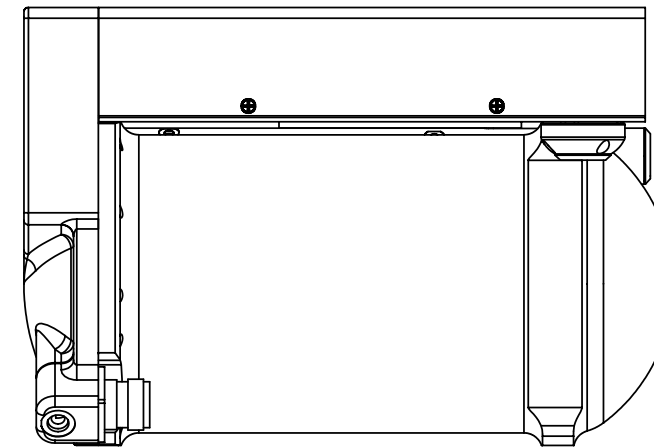
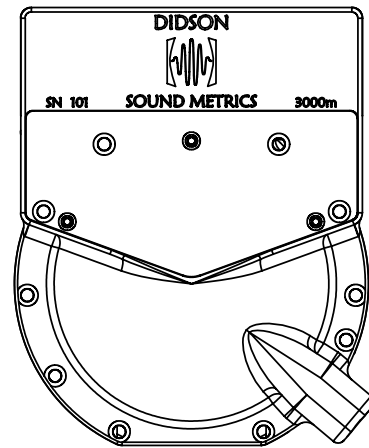
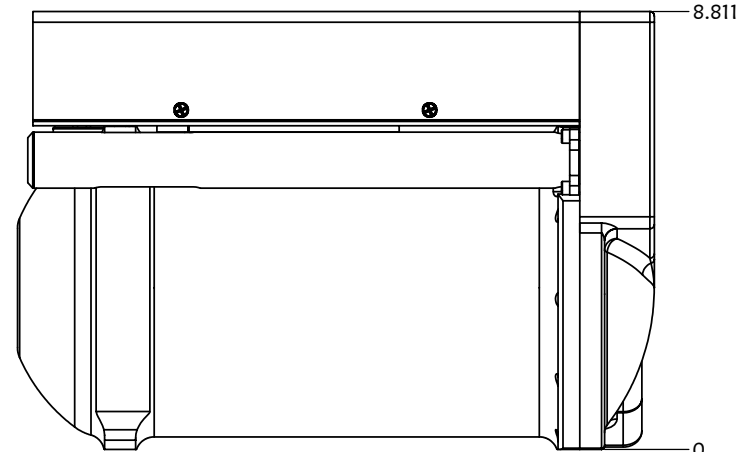



ACOUSTIC BEAM
PROJECTIONS
30° HORIZONTAL
14° ELEVATION



UNDERWATER CONNECTOR
IMPULSE - MHDG-16-FCR
POWER / ETHERNET



AIR WEIGHT: 13.82 Kg
IN SALT WATER WEIGHT: 6.05 Kg

 SOUND METRICS CORP <small>USING SOUND TO MAKE SOUND MEASUREMENTS</small>	
ASSEMBLY 3000m - FFC - STANDARD RANGE DIDSON	
SIZE	DRAWING NUMBER
E	1019
ALL DIMENSIONS ARE IN INCHES.	PLOT DATE: 3/4/2005
SCALE: 1:1.25	SHEET 1 OF 1