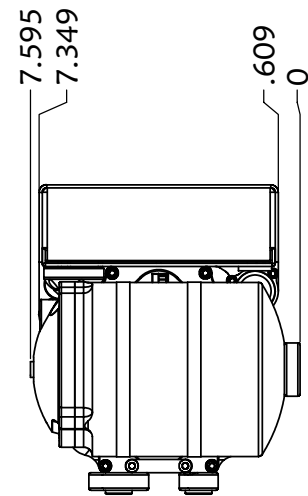
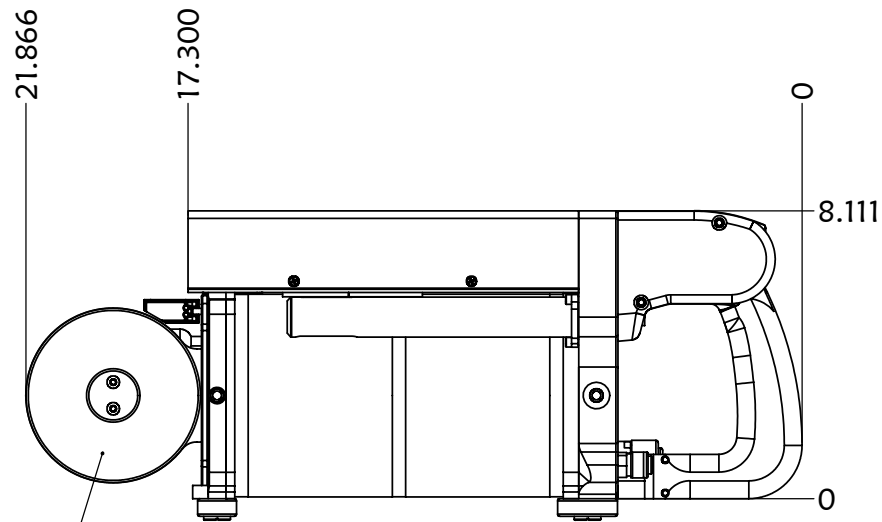


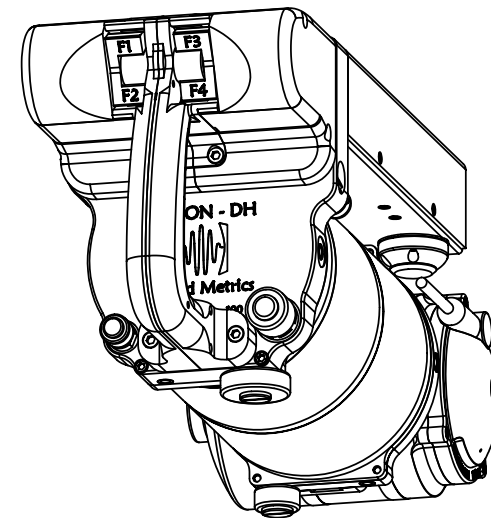
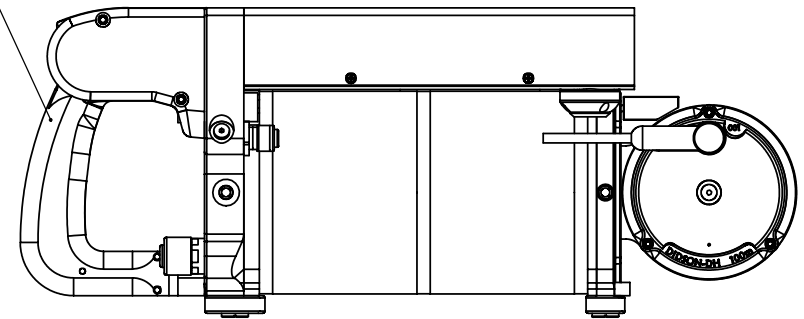
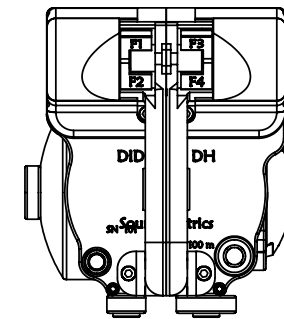
ACOUSTIC BEAM PROJECTIONS
30° HORIZONTAL
14° ELEVATION



BATTERY CASE
3 HOUR RUNTIME




CONTROL HANDLE



AIR WEIGHT: 9.9 Kg

IN SALT WATER WEIGHT: NEUTRAL

		SOUND METRICS CORP	
		USING SOUND TO MAKE SOUND MEASUREMENTS	
SONAR WITH BATTERY ASSEMBLY			
100m - STANDARD RANGE			
DIDSON DH			
SIZE	DRAWING NUMBER	REV	
E	1013		
ALL DIMENSIONS ARE IN INCHES.		PLOT DATE: 3/4/2005	SCALE: 1:1.75 SHEET 1 OF 1